

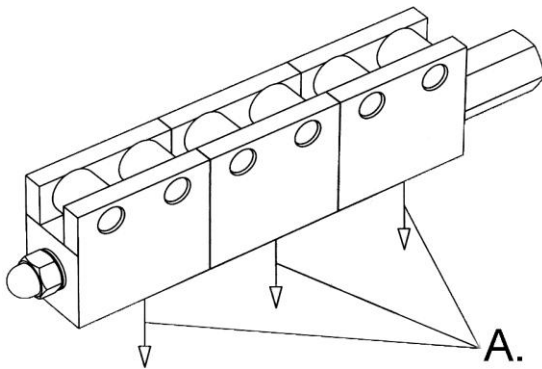
RLH. Hydraulic die lifter with high carrying capacity well suited for heavier dies. Built in pistons are lifting the entire ledge which then is carrying the entire weight on the rolls. The die can be smoothly manoeuvred back and forth. Easily fitted into the T-slots in the press table or into correctly fitting rectangular slots.



Advantages: Easy to mount. High carrying capacity.

To be considered when mounted: In order to minimise the wear on the underside of the die/adaptor-plate, a hardened strip should be fitted in. (least HRC 58)

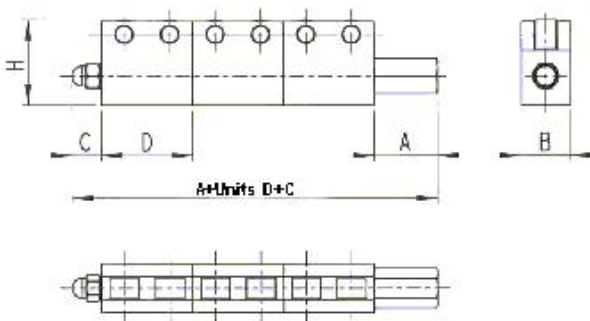
Choice: Extra heat proof seals (Viton) when mounting on warm press tables.



A= A hydraulic piston on each segment presses against the bottom of the T-slot



Above:
RLH fitted into a press-table. Hydraulics mounted through the table in order to obtain a "clean" table edge.



Delivered assembled and pressure-tested in required lengths. Delivered complete with fittings.

NOTE: If an article shall be used in an existing or new slot a dimension print (page 4) shall always be enclosed when placing an order.

TYPE RLH (T)	A	B	C	D	H	Cap kg / D at 200 bar			
18	35	17	13	40	29,5-31	200			
22	35	21	16	40	37,5-40	400			
28	35	27	16	50	47-49,5	600			
36	35	35	16	90	60,5-63	1000			
RLH can be customised upon request.									

Ex. the die weighs 12 tons = 12000 kg, required: x- number of T-slots in the pressing table filled with ledges. Length of slots: 1500 mm. Existing t-slots are of 28-mm model.

$$(1500\text{mm}) - (35\text{mm}) - (16\text{mm}) / (50\text{mm}) = 28,98 \text{ st } (28) \times (600\text{kg}) = (16800\text{kg})$$

This means that in this example, one should have 2 T-slots with RLH ledge, giving a lifting capacity of 33,6 tons.

If you find the lifting capacity over-dimensioned, distances can be put in between the sections.

Consequently the die can't have too much free space underneath.

$$\text{Length of T-slot minus (A) divided with (D) = Number of D-units (even off downwards with units) x (Cap. Kg) = lifting capacity per T-slot.}$$